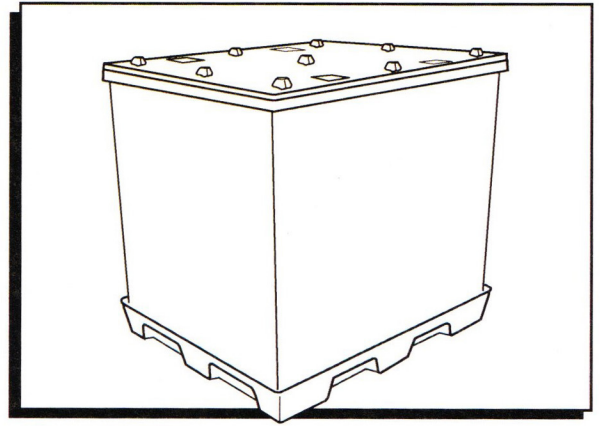


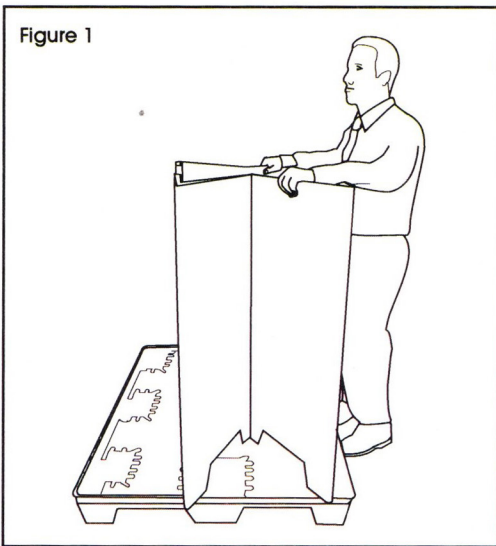


SUREPAKPACKAGING.COM
1.888.84.bboxes

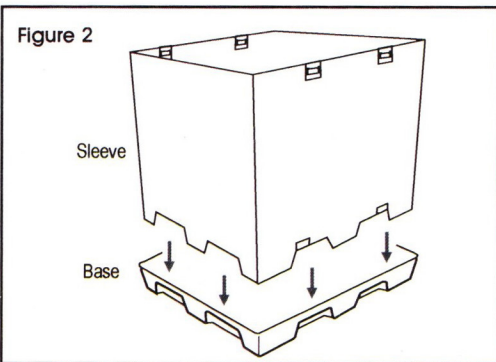


ASSEMBLY

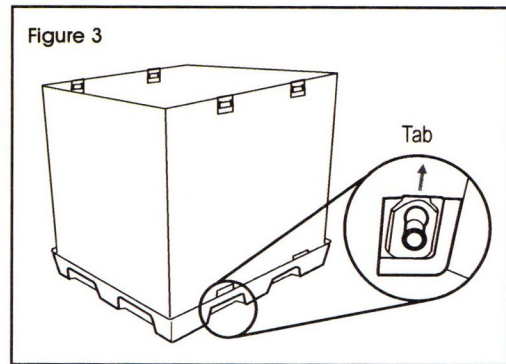
1. Unfold corrugated sleeve. (See Figure 1)



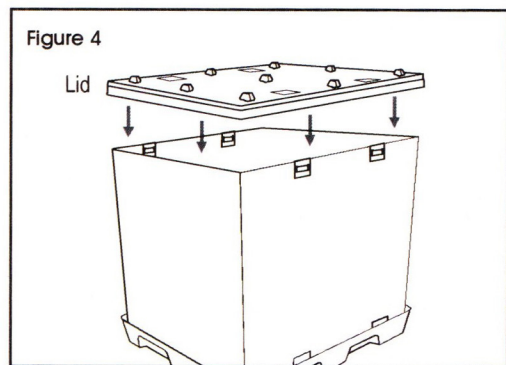
2. Place sleeve into base. (See Figure 2)



3. Pull tabs on bottom of base forward to lock sleeve into base. (See Figure 3)



4. Place lid on top of sleeve. (See Figure 4)



5. To secure, slide all 4 clips on lid into locked position. (See Figure 5)

